

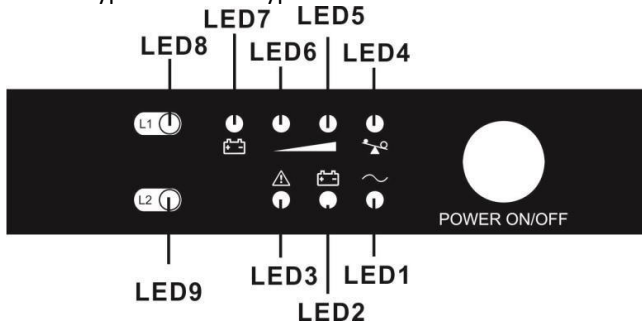
PowerWalker VFI 1000 R1U

Quick Guide

I. Front View



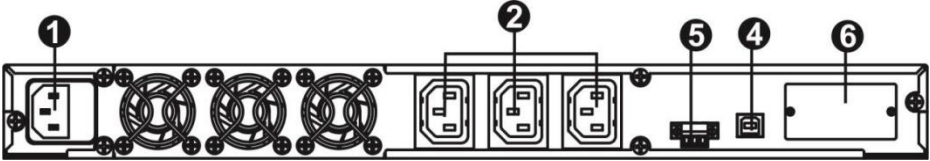
- Turn on the UPS: Press and hold button for at least 2 seconds to turn on the UPS.
- Turn off the UPS: Press and hold this button at least 2 seconds to turn off the UPS. UPS will be in standby mode when utility power is normal or transfer to bypass mode if bypass mode is enabled via software.



UPS Status	LED	Color	Mode
Line Mode	LED1	Green	Lighting
	LED4 to LED7 indicate load level during line mode. LED4: > 75% load level LED5: 50% ~ 75% load level LED6: 25% ~ 50% load level LED7: 0% ~ 25% load level	Green	Lighting
Battery Mode	LED2	Yellow	Flashing
	LED4 to LED7 indicate battery Power during battery mode. LED4: battery voltage > 26V LED5: battery voltage > 24.5V LED6: battery voltage > 23V LED7: battery voltage > 21V	Green	Lighting

Low battery	LED7	Green	Flashing
Battery replacement	LED3	Red	Flashing
Fault	LED3	Red	Lighting

II. Rear panel view



1. AC input
2. Output receptacle: connect to mission-critical loads.
3. Programmable outlets: connect to non-critical loads
4. USB/RS-232 serial communication port
5. ROO/RPO function connector
6. SNMP intelligent slot
7. Dry contact
8. External battery connector

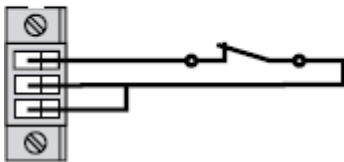
III. The pin assignment for dry contact

Condition	Pin status	
	Yes	No
Low battery.	Pin 3 and Pin 9 are connected.	Pin 3 and Pin 1 are connected.
Output is abnormal.	Pin 7 and Pin 8 are connected.	Pin 7 and Pin 5 are connected.
Battery mode.	Pin 2 and Pin 6 are connected.	Pin 2 and Pin 4 are connected.

IV. Disable/Enable ROO/RPO function

ROO

Contact open: UPS shuts down.

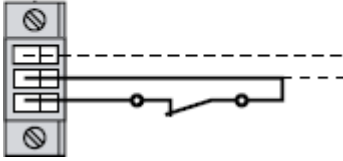


Contact closed: UPS start-up (UPS is connected to AC power and AC power is available).

Note: The local ON/OFF control by pressing On/Off button overrides the remote-control function.

RPO

Contact open: UPS shuts down and Fault LED (3) will be ON.



To return to normal operation, de-activate external remote contact (Fault LED (3) will be OFF) and restart the UPS by pressing button.

V. Audible Alarm

Battery Mode	Sounding every 4 seconds
Low Battery	Sounding every second
Overload	Sounding twice every second
Fault	Continuously sounding
Bypass Mode	Sounding every 10 seconds

VI. Technical Specification

MODEL		VFI 1000 R1U
POWER		1000 VA / 800 W
INPUT		
Voltage Range	Low Line Transfer	160VAC/140VAC/120VAC/110VAC \pm 5% (based on load percentage)
	Low Line Comeback	170VAC/150VAC/130VAC/120VAC \pm 5% (based on load percentage)
	High Line Transfer	300 VAC \pm 5 %
	High Line Comeback	290 VAC \pm 5 %
Frequency Range		40Hz ~ 70 Hz
Power Factor		>0.99 @ Nominal voltage (full load)
OUTPUT		
Output voltage		220/230/240 VAC \pm 1%
Frequency Range		57 ~ 63 Hz (Synchronized Range)
Frequency Range (Bat. Mode)		60Hz \pm 0.3 Hz
Overload		100%~105%: audible warning /105%-130%: 10s
Current Crest Ratio		3:1
Harmonic Distortion		<3 % (Linear Load) < 5 % (Non-linear Load)
Transfer Time	to Bat Mode	Zero
	Inverter to Bypass	4 ms (Typical)
Waveform (Bat Mode)		Pure Sinewave
EFFICIENCY		
AC Mode		~ 86% @ 100% load
Battery Mode		~ 83% @ 100% load
BATTERY		
Battery		4x 6V/7Ah
Recharge Time		4h to 90%
PHYSICAL		
Dimension, D x W x H (mm)		477 x 438 x 44
Net Weight (kg)		12.6
Operation Humidity		20-90 % RH @ 0-40°C (non-condensing)
Noise Level		Less than 50dBA @ 1 Meter